



## Heavy Civil Applications



Fast Installation

Immediate Loading

Low Equipment Costs

No Cure Time

All Weather Installation

Instant Capacity

Extractable & Reusable

No Excavation or Spoils

### Helical Tieback Anchors

CHANCE® helical tiebacks are a pre-engineered mechanical anchoring system for permanent and temporary earth retention. The success of the helical anchor tieback system is based on decades of similar use of CHANCE® anchors in the electric utilities industry. Capacities up to 200,000 pounds per anchor are obtainable with this instant tieback system.

### Installation Process

Helical tieback anchors are installed into retained soil with readily available equipment. Once the minimum length is obtained, the installation torque is measured and used to estimate load capacity. This quality control measure, results in very few failed load tests. Length and bearing area can be adjusted in the field to meet the specified load requirements for site specific conditions. The tiebacks are then tensioned immediately and tested without the need of grout cure time and grouting equipment. CHANCE® helical tiebacks eliminate the cure times and additional equipment costs associated with grouted tendon methods, saving a tremendous amount of project time and cost.

### The Leader in Earth Anchoring

Since 1912, CHANCE® has been the leader in the manufacturing of helical products. CHANCE® possesses the capability, assets and knowledge of what one would expect from a world class manufacturer. Operating as a subsidiary of Hubbell Corporation, CHANCE® and its broad network of Civil Construction distribution partners combine quality engineering and expertise with vast construction knowledge.



Temporary and Permanent Applications



Sheet Piling Shoring



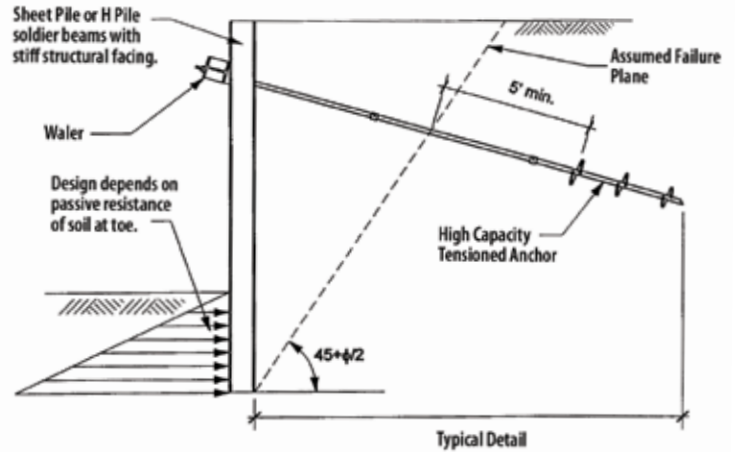
Soldier Pile & Lagging Shoring



Tensioned Immediately Following Installation

## Temporary & Permanent Applications

- Soldier Pile & Lagging Shoring
- Sheet Pile Shoring
- Building-Site Preparation
- Roadway Expansion
- Retaining Walls



## CHANCE<sup>®</sup> Helical Advantage vs. Conventional Grouted Tendon Methods

- Installs with readily available equipment
- No Excavation or Spoils
- No Dewatering
- Immediate Proof Testing and loading
- Can be used and extracted for temporary use
- Reduced Labor and Equipment Cost
- Installs in any weather
- Removable & Reusable
- Maximizes Flexibility with changing soil conditions

## Foundation Technologies, Inc. – Southeast Distribution and Service Center

Our large stock of localized inventory enables us to service your needs quickly, when and where you need it. Our team understands construction, and we know what it takes to get the job done within budget and on time. Our Professional Engineers and Field Support Representatives are on call to assist your team with proper installation techniques, and the quality engineering support you can depend on.



**Foundation Technologies, Inc.<sup>®</sup>**

800.773.2368  
[foundationtechnologies.com](http://foundationtechnologies.com)

