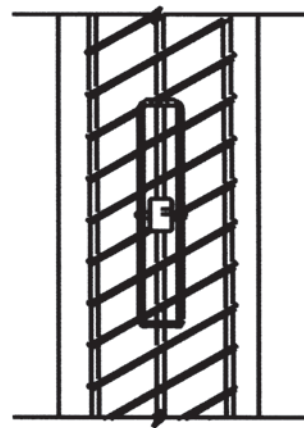
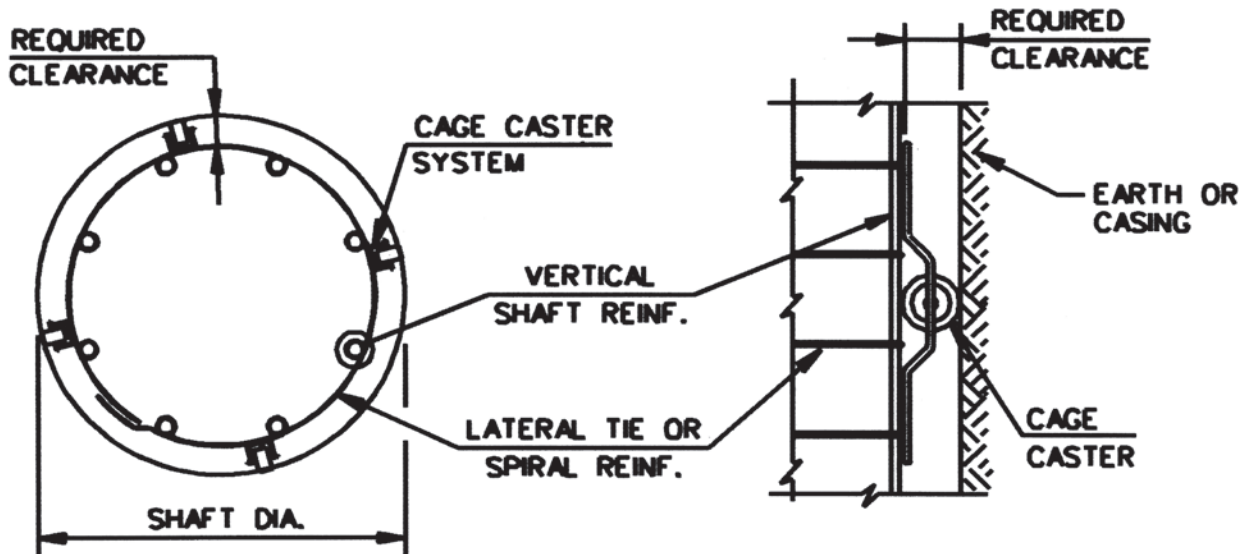


BATTERED PILE  
OR SHAFT



SPIRAL REINFORCED  
CAISSONS



# **CAGECASTER<sup>®</sup>**

## APPLICATION DETAILS

**SHAFTSPACER<sup>®</sup>**  
SYSTEMS **PATENTED**

**Foundation  
Technologies, Inc.<sup>®</sup>**

PO Box 491718  
Lawrenceville, GA 30049  
1.800.773.2368 FAX 770.723.0844  
www.foundationtechnologies.com  
info@foundationtechnologies.com