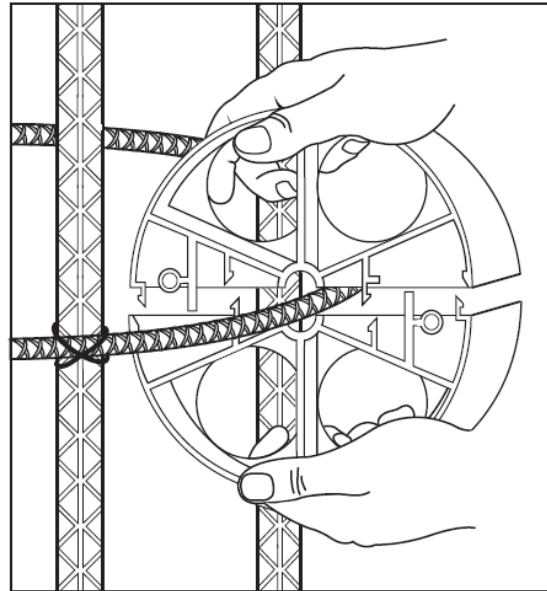
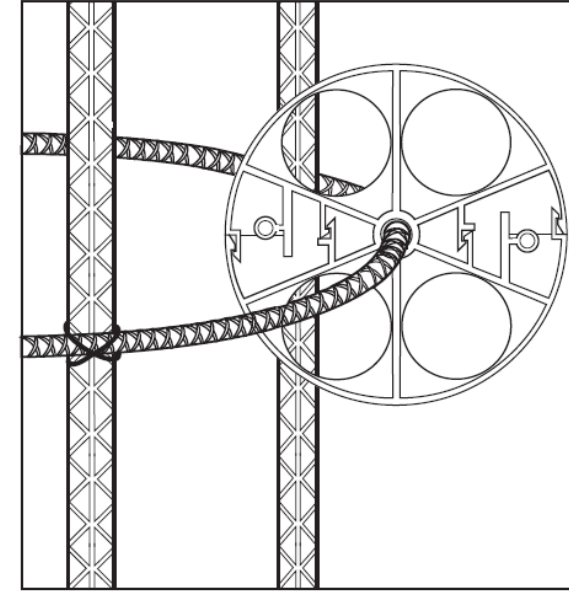


1. Required parts.
Bolts used for SS808 &
SS612 models only.



2. Place spacer halves around exterior tie.
Close spacer halves around exterior tie and push together to snap in place.
Once together, insert a locking bolt into hole on each side of spacer and fasten in place with wingnut provided. Make sure wingnuts are finger tight in place.



3. Completed installation.